

# 56 Series

## Regulators - Pressure Reducing

D56XX2099X012

### Specifications

For other materials or modifications, please consult TESCOM.

#### OPERATING PARAMETERS

Pressure rating per criteria of ANSI/ASME B31.3

##### Maximum Inlet Pressure

15,000 psig / 1034 bar

##### Maximum Outlet Pressure

200-15,000 psig / 13.8-1034 bar  
(non-adjustable spring bias pressure: 175-200 psig / 12-13.8 bar)

##### Design Proof Pressure

150% maximum rated

##### Leakage

Bubble-tight

##### Operating Temperature

-15°F to 165°F / -26°C to 74°C

##### Flow Capacity

See table



#### MEDIA CONTACT MATERIALS

##### Body

316 Stainless Steel, Nitronic 60

##### Seat, Main Valve

Vespel® SP1, 17-4 Stainless Steel

##### O-Ring

Kalrez®

##### Back-up Ring

CTFE, Teflon®

##### Remaining Parts

300 Series Stainless Steel, 17-4 Stainless Steel and Nitronic 60

#### OTHER

##### Cleaning

CGA 4.1 and ASTM G93

##### Weight (approximate)

56-21XX: 18.26 lbs / 8.28 kg

56-22XX: 9.09 lbs / 4.12 kg

56-30XX: 34.8 lbs / 15.8 kg

56-32XX: 43.0 lbs / 19.5 kg

Teflon®, Vespel® and Kalrez® are registered trademarks of E.I. du Pont de Nemours and Company.

### Features and Benefits

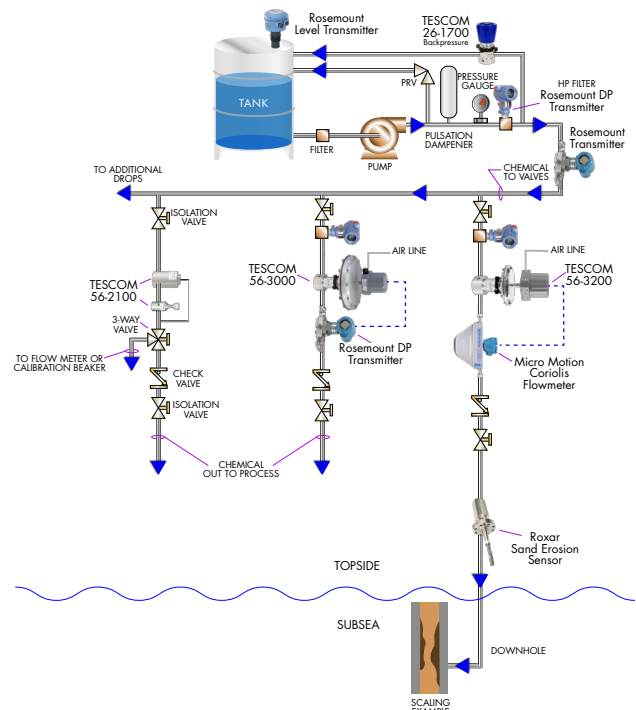
- Accurate and consistent flow control reduces the risk of flow assurance issues from over and under injection
- High-quality piston-sensed components for longevity in offshore applications reduce maintenance costs and unplanned downtime
- Alternative options for full automation of injection rate control with the addition of the ER5000

TESCOM 56 Series provides accurate flow control that allows customers to have consistent injection rates over the life of the well. Manually-controlled and electronically-controlled versions are available.

### Applications

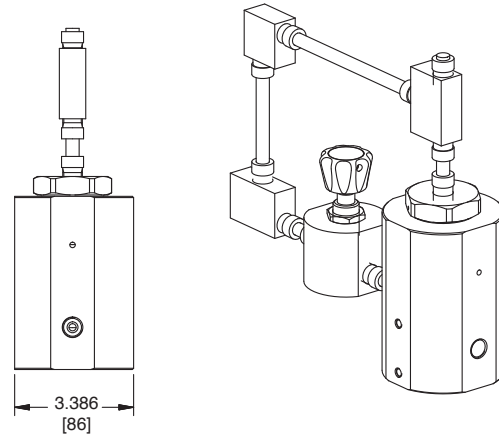
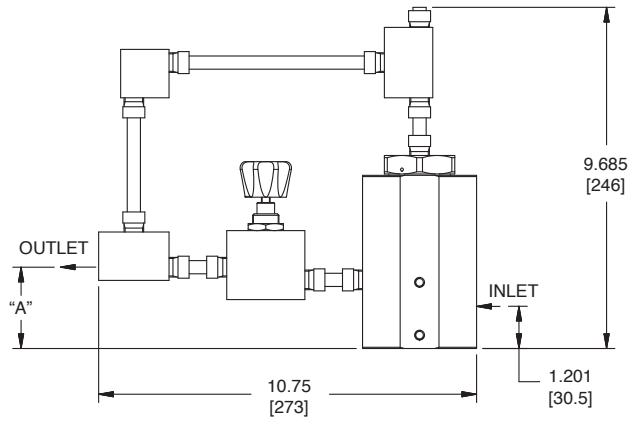
- Offshore Chemical Injection
- Process Flow Control

### Typical Application



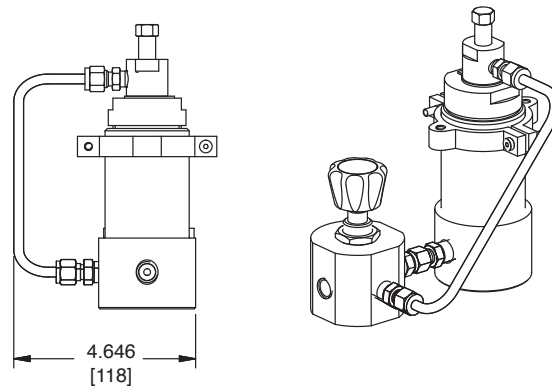
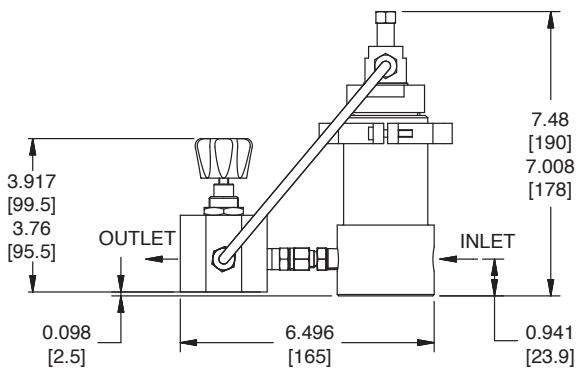
56 Series Regulator Drawing

56-21XX



VALVE	"A" DIMENSION
56-2100	2.311 [58.7]
56-2101	1.949 [49.5]

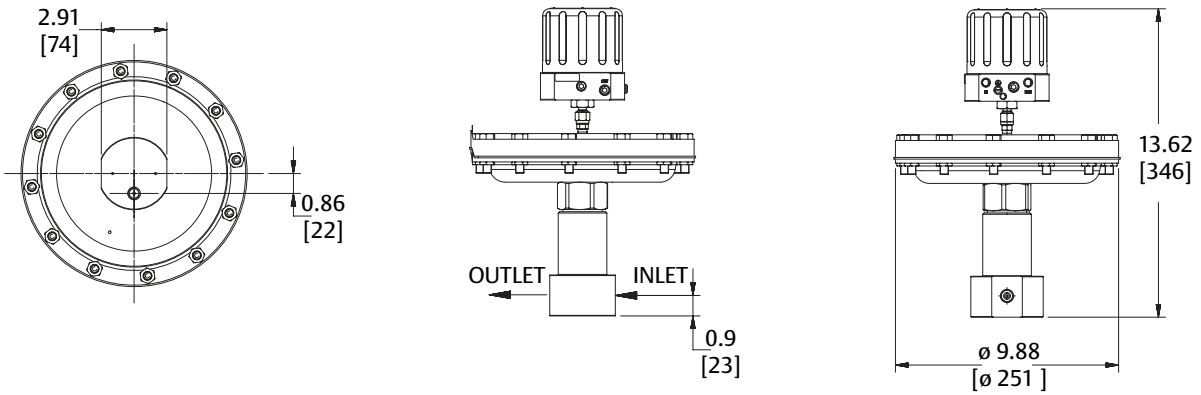
56-22XX



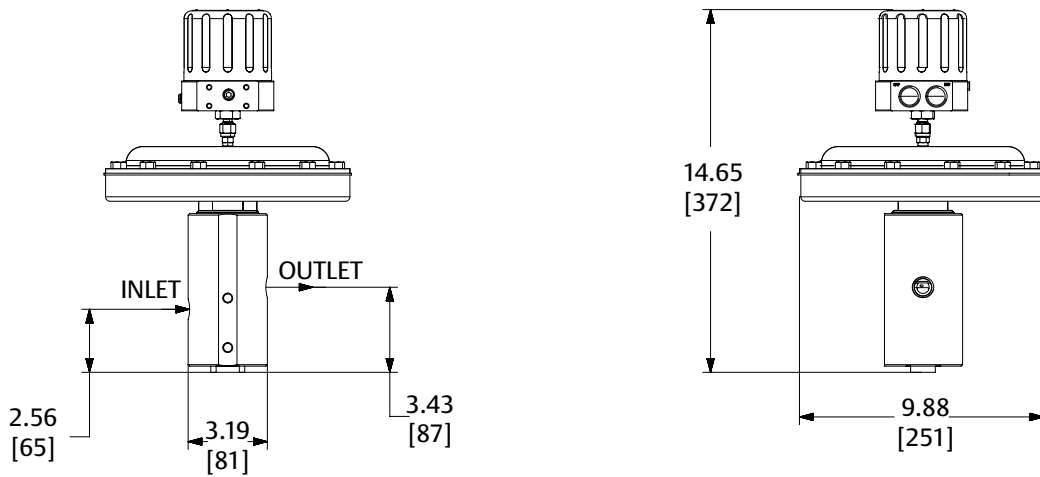
All dimensions are reference & nominal  
Metric [millimeter] equivalents are in brackets

### 56 Series Regulator Drawing

#### 56-30XX



#### 56-32XX



All dimensions are reference & nominal  
Metric [millimeter] equivalents are in brackets

## 56 Series Regulator Part Number Selector

Repair Kits, Accessories & Modifications may be available for this product. Please contact TESCOM for more information.

PART NUMBER	MAXIMUM INLET PRESSURE	MAXIMUM OUTLET PRESSURE	MINIMUM DIFFERENTIAL	MAXIMUM DIFFERENTIAL	INLET AND OUTLET PORT SIZE	MINIMUM FLOW RATE	MAXIMUM FLOW RATE
56-2100	15,000 psig 1034 bar	15,000 psig 1034 bar	175 psig 12 bar	12,500 psig 862 bar	3/8"	0.04 gpm 0.1514 l/min	1.20 gpm 4.542 l/min
56-2101	15,000 psig 1034 bar	15,000 psig 1034 bar	175 psig 12 bar	12,000 psig 827 bar	3/8"	0.0004 gpm 0.001514 l/min	0.20 gpm 0.7571 l/min
56-2200	10,000 psig 689 bar	4,000 psig 275 bar	175 psig 12 bar	9,000 psig 620 bar	1/4"	0.005 gpm 0.01893 l/min	0.16 gpm 0.6057 l/min
56-2201	10,000 psig 689 bar	4,000 psig 275 bar	175 psig 12 bar	9,000 psig 620 bar	1/4"	0.1 gpm 0.3785 l/min	2.28 gpm 8.631 l/min
56-3000	15,000 psig 1034 bar	15,000 psig 1034 bar	175 psig 12 bar	12,500 psig 862 bar	3/8" M.P.	0.04 gpm 0.1514 l/min	0.25 gpm 0.95 l/min
56-3200	8,000 psig 551 bar	8,000 psig 551 bar	175 psig 12 bar	7,600 psig 524 bar	1/2" NPT	3.00 gpm 11.36 l/min	30.00 gpm 113.56 l/min



**WARNING!** Do not attempt to select, install, use or maintain this product until you have read and fully understood the TESCOM Safety, Installation and Operation Precautions.

D56XX2099X012 © 2016 Emerson Process Management Regulator Technologies, Inc. All rights reserved. 11/2016.  
Tescom, Emerson Process Management, and the Emerson Process Management design are marks of one of the Emerson Process Management group of companies. All other marks are the property of their respective owners.